

## Tower Rolling Buffet Buffet Series

Wood or Acrylic | 42" and 72"

Built to suit the occasion, the Tower Rolling Buffet is the latest and greatest in the industry. The elegant tower display can be easily transformed from a back bar to action stations to a beautiful buffet display setup. The tower is available in two sizes and comes with tempered glass shelves.

### Features

- Stainless steel protective edging
- Black wood or acrylic panels
- Mobile buffet with 4 swivel interlocking casters
- Interconnecting stainless steel slots
- Variety of connecting heights for different setups
- Removable panels for easy maintenance
- 42" tower includes 2 tempered glass shelves
- 72" tower includes 5 tempered glass shelves

### Add-Ons Available

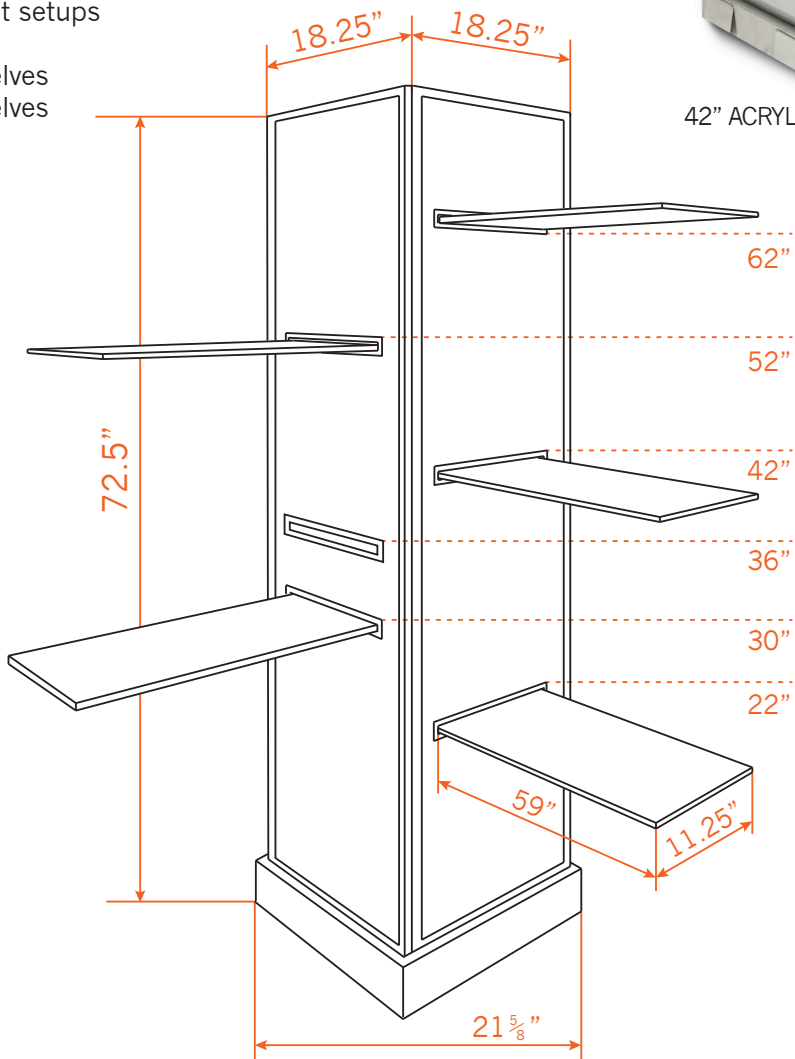
- Wood tabletop adapter
- Dust cover



42" ACRYLIC PANELS



72" WOOD PANELS



VIDEO AVAILABLE ONLINE 